

# RESONON

## PIKA IR+ HYPERSPECTRAL CAMERA



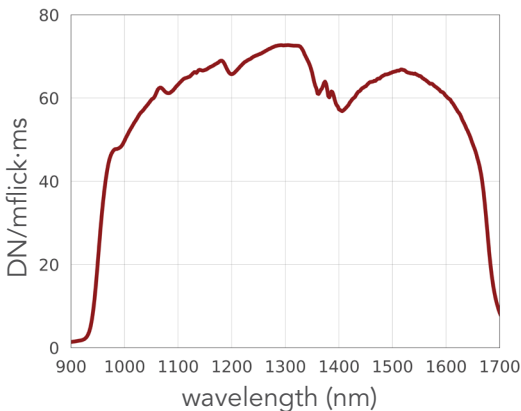
The Pika IR+ is a high-performance hyperspectral camera for the Near-Infrared (NIR) spectral range (900 – 1700 nm). It has high spatial and spectral resolutions and is often used for infrared laboratory applications.

The Pika IR+ can be used in our **airborne**, **laboratory**, and **outdoor** hyperspectral systems, as well as standalone or integrated into your system with our **programming guidance document**.

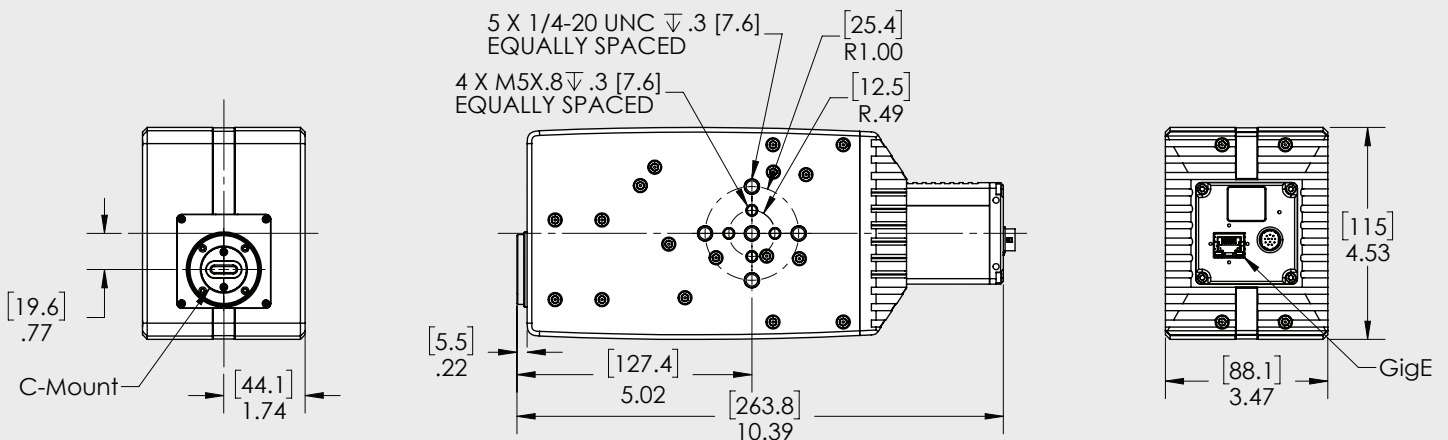
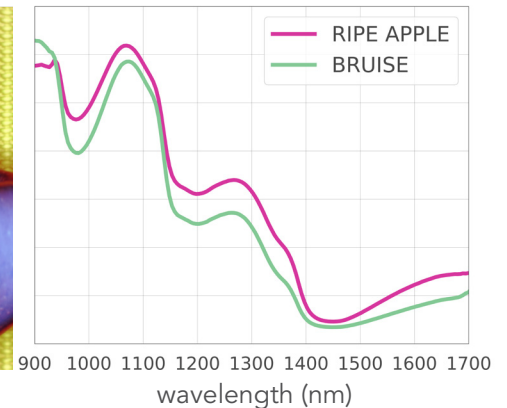
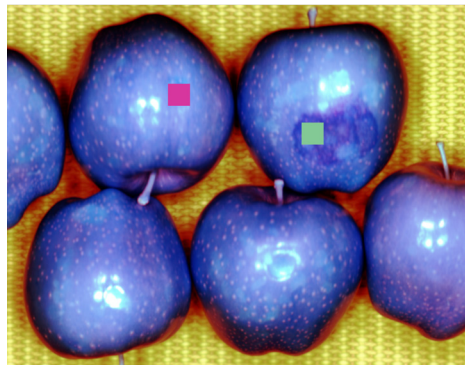
### FEATURES

- Spectral Range: 900 – 1700 nm
- 640 Spatial Pixels Per Line
- 336 Spectral Channels Per Line
- High Performance (5.6 nm FWHM spectral resolution)

### SPECTRAL RESPONSE



### ACTUAL DATA



## PIKA IR+ SPECIFICATIONS

### OPTICAL

<b>Spectral Range</b>	900 - 1700 nm
<b>Spectral Bands</b>	336
<b>Spatial Channels</b>	640
<b>Spectral Resolution (FWHM)</b>	5.6 nm
<b>Field of View Options</b>	5°, 7°, 11°, 22°, 33°, 62°, 77°
<b>f/# (at default objective lens aperture)</b>	1.8
<b>Pixel Size</b>	15 µm
<b>Slit Width</b>	15 µm
<b>Spectral Sampling per Pixel</b>	2.4 nm
<b>Spectrometer Magnification</b>	0.89

### DATA

<b>Maximum Frame Rate</b>	240 fps
<b>Bit Depth</b>	14
<b>Spectral Binning: default / all options</b>	1 / 1-10
<b>Spatial Binning: default / all options</b>	1 / 1-10
<b>Pixel Well Depth</b>	1.2 Me-
<b>Peak SNR (with default binning, higher with more binning)</b>	1095
<b>Software Development Kit</b>	Yes

### PHYSICAL / ENVIRONMENTAL

<b>Dimensions</b>	264 x 115 x 88 mm
<b>Weight (without objective lens)</b>	2.95 kg
<b>Objective Lens Mount</b>	C-mount
<b>Data Interface</b>	GigE
<b>Sensor Type</b>	InGaAs
<b>Sensor Cooling</b>	TEC
<b>Power Requirements (from provided power supply)</b>	10.8W @12 VDC
<b>Operating Temperature (non-condensing)</b>	-20 to +50 C
<b>Recommended Temperature (non-condensing)</b>	+5 to +40 C