



CEI Machine Vision Camera Enclosure IP67 88mm Series Round

As a leading innovator in the Machine Vision Industry, CEI is proud to introduce our new line of Machine Vision Camera Enclosures, Cables, and Accessories for demanding vision applications.

IP67 88mm Series Camera Round Enclosure Key Features

- CEI Integrated Connector Design (no cord grips)
- IP67 protection
- Universal design for camera models with up to 60mm² body
- Also supports Dalsa Genie Nano XL, Nano 5G, Sony Block
- Excellent heat dissipation
- Enclosure tailored for specific Camera & Optics
- Adjustable Mount with 4 tapped holes included
- High quality (easy to replace) windows by Midwest Optical
- Lightweight low-profile design
- Type 2 anodizing
- Options: Mounts, Windows & Filters, Cables
- Options: Custom Sizes, lengths, and focusing solutions.
- Options: Complete Solutions (Camera, Enclosure, Cabling)
- Competitive pricing
- Made in USA, Patent Pending



Enclosure Specs (See Appendix "A" for part numbers)

Camera Size: up to 60mm square machine vision

Optics: Supports a wide range optics

Window: Midwest Optical 2mm– AR coated
Borofloat glass

Lens Covers: Available in 79mm and 103mm Diameters
Lengths in 10mm increments

Interface Connectors: M12 X-Code Ethernet Female

Optional Interface: M12 A-Code I/O Male

Mounting: Qty. 2, M6 and Qty. 2 ¼-20 UNC tapped holes with
19.05mm (¾") hole spacing
Adjustable ring mount

Sealing: IP67

Material: 6061 Aluminum

Coating: Type 2 anodized

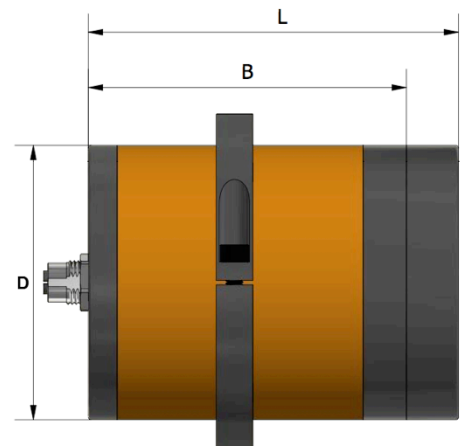
Overall Length (L): Varies, See Appendix "A"

Body Length (B): Varies, See Appendix "A"

Height / Width (D): 95 mm OD round (body)

Mount diameter: 120 mm

Weight: ~1000g (typical weight fully assembled
W/ Camera)



Contact CEI for Application and Configuration Details.



Appendix “A” CEI IP67 88mm Series Camera Round Enclosure Part Numbers:

PART NUMBER	ENCLOSURE BODY, END CAP, AND ROUND MOUNT
EN-88R-A0-95	88mm x 95mm long enclosure, M12 x-code, no I/O, Fits up to 62mm x 62mm cameras
EN-88R-A1-95	88mm x 95mm long enclosure, M12 x-code, with Nano I/O, Fits up to 62mm x 62mm cameras
EN-88R-B1-160	88mm x 160mm long enclosure, M12 x-code, with M12 8 pin I/O, Fits FCB-8550/8530

PART NUMBER	FRONT BEZEL DIAMETER TO MATCH LENS CAP
EN-88R-FB79-A	Front bezel for 88mm round enclosure, for 79mm lens diameter caps, Type A style cameras
EN-88R-FB103-A	Front bezel for 88mm round enclosure, for 103mm diameter lens caps, Type A style cameras
EN-88R-FB79-B	Front bezel for 88mm round enclosure, Fits FCB-8550/8530 (no lens cover required)
EN-88R-FB79-C	Front bezel for 88mm round enclosure, for 79mm lens diameter caps, Type C style cameras

PART NUMBER	LENS CAPS ONLY 79MM DIAMETER - ENCLOSURE AND FRONT BEZEL REQUIRED
EN-LC79-70	Lens cover for 79mm bezel, 70mm length, borosilicate window
EN-LC79-80	Lens cover for 79mm bezel, 80mm length, borosilicate window

PART NUMBER	LENS CAPS ONLY 103MM DIAMETER - ENCLOSURE AND FRONT BEZEL REQUIRED
EN-LC103-90	Lens cover for 103mm bezel, 90mm length, borosilicate window

PART NUMBER	Accessories
EN-88R-SSB	Sun Shade with Bird Spikes