

## MV-CA050-10GM/GC 5 MP 2/3" CMOS GigE Camera

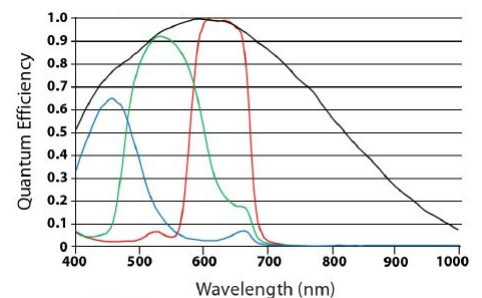
- Gigabit Ethernet (1 Gbps)
- 300 ft (100 m) Transmit Distance w/o Relaying
- 128 MB On-Board Buffer, for Image Bursts
- Auto Exposure Control, LUT, Gamma Correction
- Synchronize Cameras with Hard/Soft Trigger
- Multiple Exposure Modes
- Enhanced Color w/Auto White Balance
- GigE Vision v1.2 Compliant



The Hikvision MV-CA050-10GM/GC 5 MP 2/3" CMOS GigE Camera is a high quality device that can be used in a variety of applications, including electronic semiconductor fabrication, factory automation, quality inspection.

**Available Models:** Mono: MV-CA050-10GM  
Color: MV-CA050-10GC

### MV-CA050-10GM/GC Quantum Efficiency

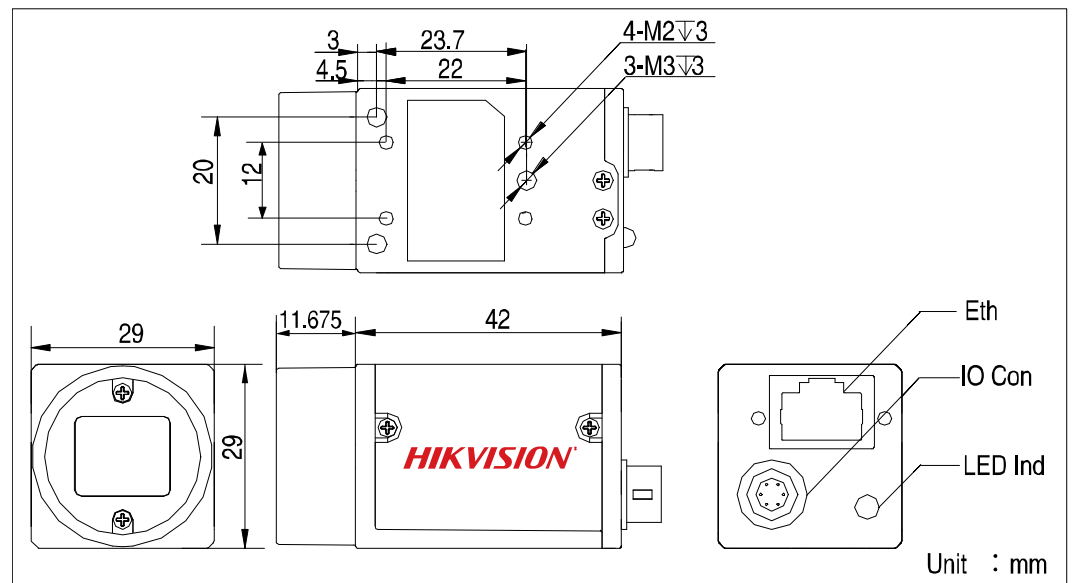


Toll Free: 888-509-8455, Email: [clientservice@integrys.com](mailto:clientservice@integrys.com)  
[www.integrys.com](http://www.integrys.com)

## Specifications

	MV-CA050-10GM	MV-CA050-10GC
<b>Camera</b>		
Type	5 MP, 2/3" CMOS GigE camera	
Sensor	Sony IMX264, 2/3" CMOS	
Shutter	Global shutter	
Resolution	2448 × 2048	
Pixel Size	3.45 μm × 3.45 μm	
Frame Rate	23.5 fps @ 2448 × 2048, Mono 8	11.7 fps @ 2448 × 2048, YUV 23.5 fps @ 2448 × 2048, Bayer 8
Dynamic Range	>60 dB	
SNR	>40 dB	
Gain Range	0 to 17 dB	
Exposure Time	20μs to 10 sec	
Shutter Mode	Global shutter: auto-exposure, manual exposure, and one-key exposure	
Network	Gigabit Ethernet	
General Purpose I/O	Opto-isolated input x 1, opto-isolated output x 1, bi-directional non-isolated I/O x 1	
Image Buffer	128 MB	
Data Format	Mono 8/10/10p/12/12p	Mono 8/10/12, Bayer RG 8/10/10p/12/12p, YUV422 (UYVY), YUV422, RGB 8
<b>General</b>		
Power	<3.3 W @ 12 VDC, voltage 5 to 15 VDC, PoE supported	
Temperature	Working temperature: 32° to 122° F (0° to 50° C) Storage temperature: -22° to 158° F (-30° to 70° C)	
Dimension	1.14" x 1.14" x 1.65" (29 mm × 29 mm × 42 mm)	
Weight	Approximately 2.4 oz (68 g)	
Lens Interface	C-mount	
Software	MVS or third-party software supporting GigE Vision protocol	
Operating System	Windows XP/7/8 32-/64-bit	
Compliance	GigE Vision v1.2	
Certification	CE, FCC, RoHS	

## Dimensions



## Recommended Accessories

- **Power Adapter:** 12 VDC @ 1 A
- **NIC:** Intel Pro1000 or above version
- **Network Cable:** CAT5e or CAT6 network cable