

## MVL-KF3528M-12MP

1/1", 12 MP FA Series MV Lenses

- 35 mm Fixed Focal Length
- $f/2.8$  Maximum Aperture
- C-Mount
- Fits Hikvision Machine Vision Cameras

The MV Series of lenses are made for Hikvision's line of Machine Vision cameras. C-mounts allow the lenses to be quickly interchanged. There is a wide range of focal lengths to satisfy any requirements.

### Available Models

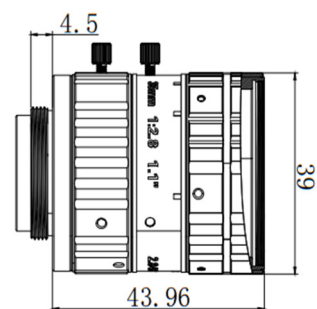
MVL-KF3528M-12MP: 35 mm lens



## Specifications

MVL-KF3528M-12MP	
Specification	Fixed focal manual iris 12 MP
Focal Length	35 mm
Mount	C-mount
<i>f</i> /No.	<i>f</i> /2.8
Filter Thread	M35.5*0.5
Max Image Format	Φ17.6 mm (1.1")
Flange Back Length	17.526 mm
TV-Distortion	-0.25%
M.O.D	0.18 m
Control	Iris Manual
	Focus Manual
Dimension	Φ39 mm x 43.96 mm
Operating Temperature	-10° to 50° C
Field Of View	D 26.7°
	H 21.4°
	V 15.9°

## Dimensions



Unit: mm