

MV-CA003-50GM/GC 0.3 MP 1/3" CCD GigE Camera

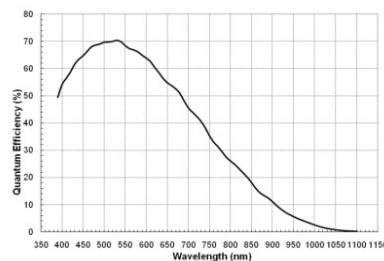
- Gigabit Ethernet (1 Gbps)
- 100 m Transmit Range w/o Relaying
- 128 MB On-Board Buffer, for Image Bursts
- Auto Exposure Control, LUT, Gamma Correction
- Synchronize Cameras with Hard/Soft Trigger
- Multiple Exposure Modes
- Special Color Algorithm, Auto White Balance
- GigE Vision v1.2 Compliant



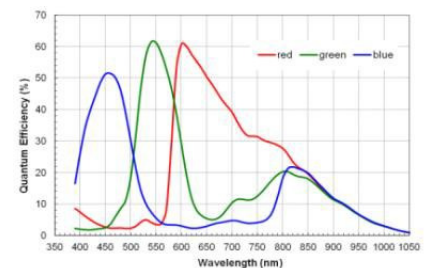
The Hikvision MV-CA003-50GM/GC 0.3 MP 1/3" CMOS GigE Camera is a high quality device that can be used in a variety of applications, including electronic semiconductor fabrication, factory automation, and quality inspection.

Available Models: Mono: MV-CA003-50GM
Color: MV-CA003-50GC

MV-CA003-50GM/GC Quantum Efficiency



MV-CA003-50GM Quantum Efficiency

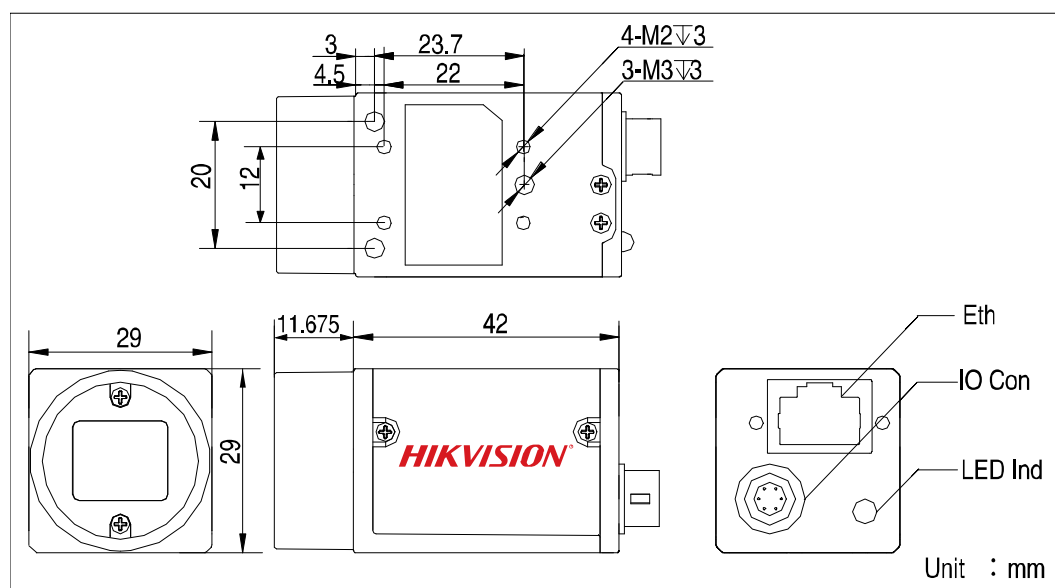


MV-CA003-50GC Quantum Efficiency

Specifications

	MV-CA003-50GM	MV-CA003-50GMC
Camera		
Camera Type	0.3 MP, 1/3" CCD GigE camera	
Sensor	Sharp RJ33B4AD0DT, 1/3" CCD	
Shutter	Global shutter	
Resolution	640 × 480	
Pixel Size	7.4 μm × 7.4 μm	
Frame Rate	200 fps @ 640 × 480, Mono 8	200 fps @ 640 × 480, YUV 200 fps @ 640 × 480, Bayer 8
Dynamic Range	>52 dB	
SNR	>37 dB	
Gain Range	0 to 20 dB	
Exposure Time	20 μs to 1 sec	
Shutter Mode	Global shutter; auto-exposure, manual exposure, and one-key exposure	
Network	Gigabit Ethernet	
General Purpose I/O	Opto-isolated input x 1, opto-isolated output x 1 Bi-directional non-isolated I/O x 1	
Image Buffer	128 MB	
Data Format	Mono: 8/10/10p/12/12p	Mono: 8/10/12, Bayer BG: 8/10/10p/12/12p, YUV422 (UYVY): 8, YUV422: 8, RGB: 8
General		
Power	<3.6 W @ 12 VDC, voltage: 5–15 VDC, PoE supported	
Temperature	Working temperature: 32° to 122° F (0° to 50° C) Storage temperature: -22° to 158° F (-30° to 70° C)	
Dimensions	1.14" x 1.14" x 1.65" (29 mm × 29 mm × 42 mm)	
Weight	Approximately 2.4 oz (68 g)	
Lens Interface	C-mount	
Software	MVS or third-party software supporting GiGE Vision protocol	
Operating System	Windows XP/7/8 32-/64-bit	
Compliance	GigE Vision v1.2	
Certifications	CE, FCC, RoHS	

Dimensions



Recommended Accessories

- **Power Adapter:** 12 VDC @1 A
- **NIC:** Intel Pro1000 and above version
- **Network Cable:** CAT5e or CAT6 network cable