



[Quick Start Guide](#)
LXC cameras (Gigabit Ethernet)

Latest software version and technical documentation are available at:
www.baumer.com/vision/login

Product Specification

LXC cameras – Extremely high resolution and speed

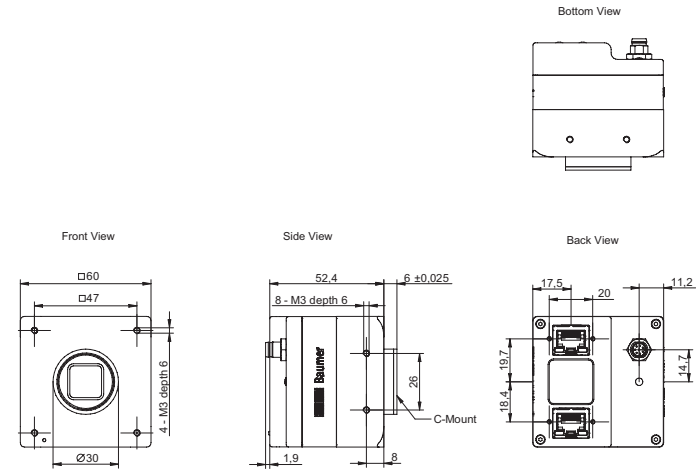
- Dual Gigabit Ethernet progressive scan CMOS camera
- GigE Vision™ standard compliant
- Binning and true partial scan function (ROI) for increased frame rates
- High Dynamic Range (HDR) image acquisition
- External synchronization via industrial compliant process interface (trigger / flash)
- Global shutter architecture for minimized motion blur
- Power over Ethernet (PoE) support
- Standard RJ45 connectors
- Excellent image quality
- Camera parameter programmable in real-time

Camera Type	Sensor Size	Resolution	Full Frames [max. fps]
Monochrome / Color			
LXC-20M / C / NIR	2/3"	2048 x 1088	111
LXC-40M / C / NIR	1"	2048 x 2048	59
LXC-80M / C	4/3"	3360 x 2496	29
LXC-120M / C	APS-C	4096 x 3072	19
LXC-200M / C	35 mm	5120 x 3840	12
LXC-250M / C	APS-H	5120 x 5120	9

Dimensions Camera LXC 20 / 40

Notice

LXC-20 and LXC-40 have a C-Mount interface only.



Conformity / Safety

Conformity:
CE, RoHS



CE

We declare, under our sole responsibility, that the previously described Baumer LXC cameras conform with the directives of the CE.

RoHS

All LXC cameras comply with the recommendation of the European Union concerning RoHS Rules.

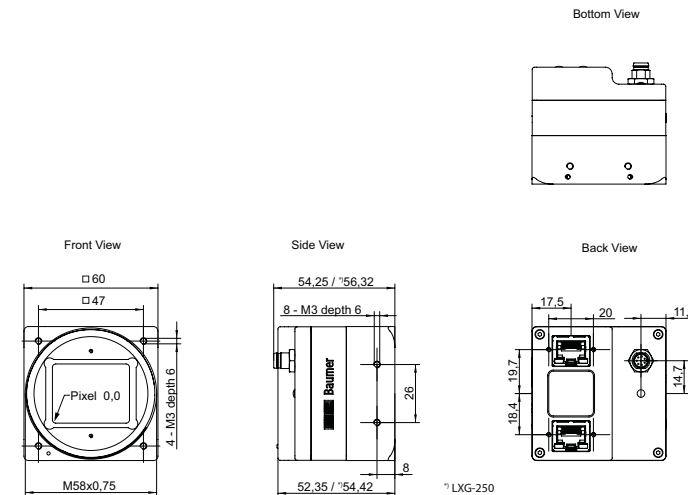
Safety Precautions

- Protect the sensor from dirt and moisture.
- Never open the camera housing.
- Avoid camera contamination by foreign objects.

Environmental requirements:

Storage temp.	-10 °C ... +70 °C
Operating temp.	+5 °C ... +50 °C
Housing temp.	max. +50 °C
Humidity	10 % ... 90 %
	Non-condensing

Dimensions Camera LXC 80 / 120 / 200 / 250



Lens Adapter for LXC 80 / 120 / 200

- Adapter M58 / F-Mount (Art. No.: 11117852)
- Adapter M58 / M42x1-Mount (26.8mm) (Art. No.: 11127232)
- Adapter M58 / M42x1-MOUNT (45.5 mm) (Art. No.: 11137781)

Notice

suitable for Zeiss (e.g. Distagon T* 2/25 Z-M42-I, Planar T* 1.4/50 Z-M42-I, Makro-Planar T* 2/50 Z-M42-I) and KOWA M42 lenses (e.g. LM28LF P-Mount, LM35LF P-Mount)

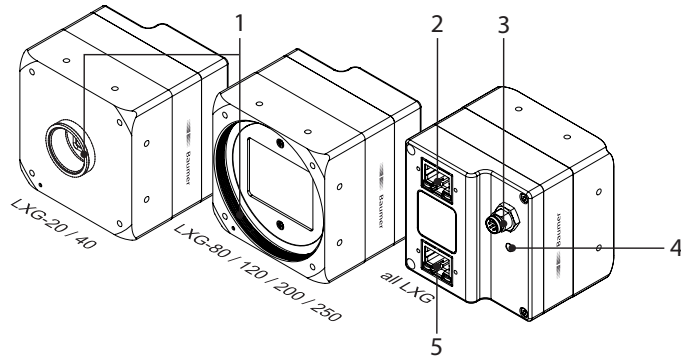
- Adapter M58 / C-Mount (Art. No: 11115198)

Further Information

For further information on our products visit www.baumer.com

For technical issues, please contact our technical support:
support.cameras@baumer.com · Phone +49 (0)3528 4386-0 · Fax +49 (0)3528 4386-86
© Baumer Optronic GmbH · Badstrasse 30 · DE-01454 Radeberg, Germany
Technical data has been fully checked, but accuracy of printed matter not guaranteed.
Subject to change without notice. Printed in Germany 10/16. v1.4 11129237

General Description



No.	Description	No.	Description
1	LXG-20 / 40 C-Mount only.	4	Signaling-LED
	LXG-80 / 120 / 200 / 250 lens mount (M58), adapter for other lens mounts available		
2	Data Port 1 (PoE)	5	Data Port 2
3	Power Supply / Digital-IO		

Data Interfaces

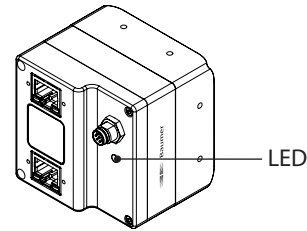
Data / Control 1000 Base-T (Port 1)			Data / Control 1000 Base-T (Port 2)		
wire colors of the connecting cable					
1	green/white	MX1+	1	green/white	MX1+
2	green	MX1-	2	green	MX1-
3	orange/white	MX2+	3	orange/white	MX2+
4	blue	MX3+	4	blue	MX3+
5	blue/white	MX3-	5	blue/white	MX3-
6	orange	MX2-	6	orange	MX2-
7	brown/white	MX4+	7	brown/white	MX4+
8	brown	MX4-	8	brown	MX4-

Notice

Data port 1 supports Power over Ethernet (36 VDC .. 57 VDC).

For the data transfer, the ports are equal. For Single GigE connect one port and for Dual GigE connect the second port additionally. The order does not matter.

LED Signaling



	Signal	Meaning
LED	green on	Power on, link good
	green blinking	Power on, no link
	red on	Error / Overtemperature
	red blinking	Warning (update in progress, don't switch off)
	yellow	Readout active

Power Supply and Process Interface

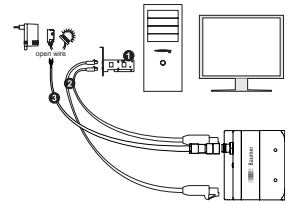
Power Supply / Digital-IO			
M8 / 8 pins wire colors of the connecting cable			
1	white	OUT 3	
2	brown	Power VCC+	
3	green	IN 1	
4	yellow	IO GND	
5	grey	IO Power VCC	
6	pink	OUT 1	
7	blue	Power GND	
8	red	OUT 2	

Power Supply	
Power VCC	12 VDC ... 24 VDC

Installation

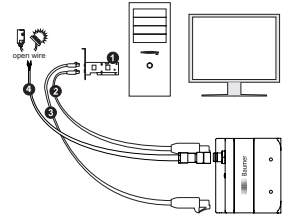
Installation sample without PoE

- 1 - network interface card
- 2 - network cable
- 3 - Process interface- / Power cable



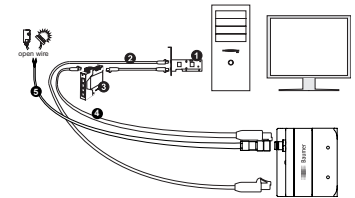
Installation sample with PoE via NIC

- 1 - PoE network interface card (NIC)
- 2 - network cable (PoE)
- 3 - network cable (without PoE)
- 4 - Process interface cable



Installation sample with PoE via Injector

- 1 - network interface card (NIC)
- 2 - network cable (without PoE)
- 3 - Injector
- 4 - network cable (with PoE)
- 5 - Process interface cable



Heat Transmission

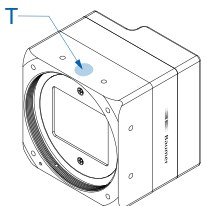
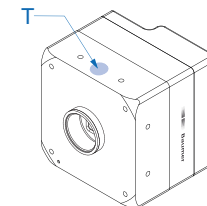
Caution

Provide adequate dissipation of heat, to ensure that the temperature does not exceed +50 °C (+122 °F). The surface of the camera may be hot during operation and immediately after use. Be careful when handling the camera and avoid contact over a longer period.



As there are numerous possibilities for installation, Baumer do not specify a specific method for proper heat dissipation, but suggest the following principles:

- operate the cameras only in mounted condition
- mounting in combination with forced convection may provide proper heat dissipation



Measure Point	Maximal Temperature
T	+50 °C (122 °F)