

## MV-CA030-10GM/GC 3 MP 1/1.8" CMOS GigE Camera

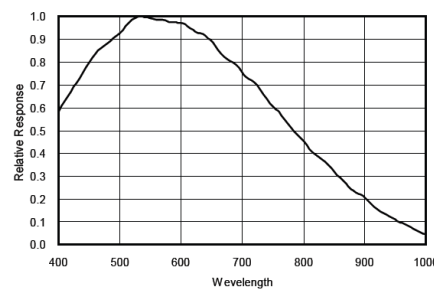
- Gigabit Ethernet (1 Gbps)
- 100 m Transmit Distance w/o Relaying
- 128 MB On-Board Buffer, for Image Bursts
- Auto Exposure Control, LUT, Gamma Correction
- Synchronize Cameras with Hard/Soft Trigger
- Multiple Exposure Modes
- Enhanced Color w/Auto White Balance
- GigE Vision v1.2 Compliant



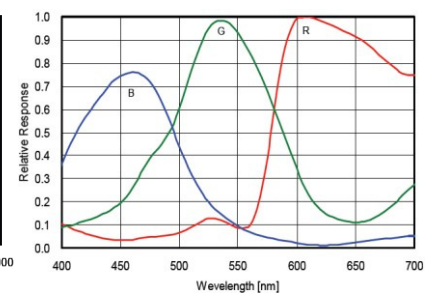
The Hikvision MV-CA030-10GM/GC 2.3 MP 1/1.2" CMOS GigE Camera is a high quality device that can be used in a variety of applications, including electronic semiconductor fabrication, factory automation, bar code reading, and medicine package inspection.

**Available Models:** Mono: MV-CA030-10GM  
Color: MV-CA030-10GC

### MV-CA030-10GM/GC Quantum Efficiency



MV-CA030-10GM Quantum Efficiency

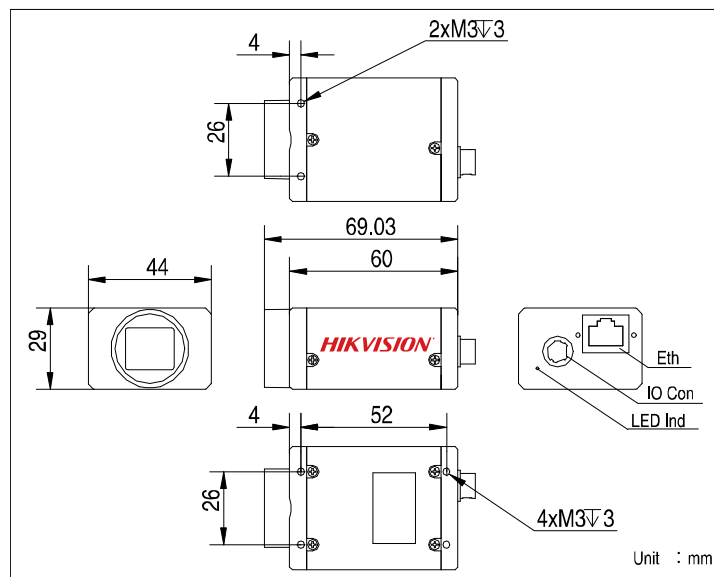


MV-CA030-10GC Quantum Efficiency

# Specifications

	MV-CA030-10GM	MV-CA030-10GC
<b>Camera</b>		
Type	3 MP, 1/1.8" CCD GigE camera	
Sensor	Sony ICX687, 1/1.8" CCD	
Shutter	Global shutter	
Resolution	1920 x 1440	
Pixel Size	3.69 $\mu\text{m}$ x 3.69 $\mu\text{m}$	
Frame Rate	25 fps @ 1920 x 1440, mono 8	21.3 fps @ 1920 x 1440, YUV 25 fps @ 1920 x 1440, Bayer 8
Dynamic Range	>61 dB	
SNR	>40 dB	
Gain Range	0 to 20 dB	
Exposure Time	26 $\mu\text{s}$ to 1 sec	
Exposure Control	Internal/external	
Network	Gigabit Ethernet	
General Purpose I/O	Opto-isolated input x 1, opto-isolated output x 1	
Image Buffer	128 MB	
Data Format	Mono: 8/10/10p//12/12p	Mono: 8/10/12, Bayer RG: 8/10/10p/12/12p, YUV422 (UYVY): 8, YUV422: 8, RGB: 8
<b>General</b>		
Power	<4 W @ 12 VDC, voltage: 5 to 15 VDC, PoE supported	
Temperature	Working temperature: 32° to 122° F (0° to 50° C) Storage temperature: -22° to 158° F (-30° to 70° C)	
Dimension	1.73" x 1.14" x 2.36" (44 mm x 29 mm x 60 mm)	
Weight	Approximately 3.0 oz (86 g)	
Lens Interface	C-mount	
Software	MVS or third-party software supporting GigE Vision protocol	
Operating System	Windows XP/7/8 32-/64-bit	
Compliance	GigE Vision v1.2	
Certification	CE, FCC, RoHS	

# Dimensions



# Recommended Accessories

- **Power Adapter:** 12 VDC @1 A
- **NIC:** Intel Pro1000 or above version
- **Network Cable:** CAT5e or CAT6 network cable