



Expandable

Product Highlights

- 70% brighter than the BL138
- Perfect for line scanning applications: 507,000 lux
- Expandable in 6" increments; available in lengths from 6" up to 90"



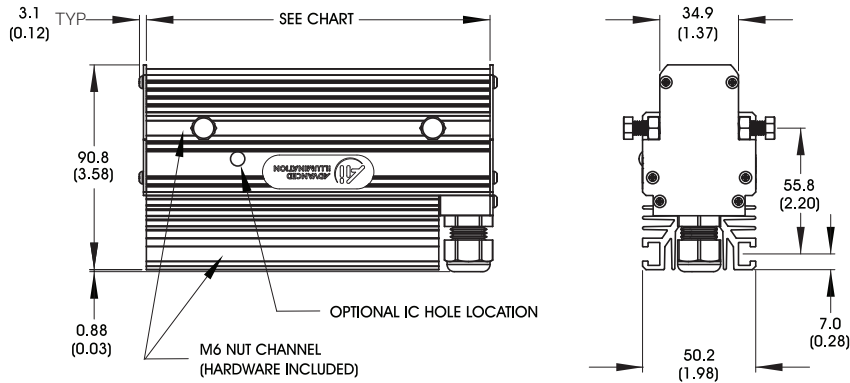
General Specifications

Electrical Specifications	Color	24v Current	All Other Controls
	WHI	0.8 A per 6 inches	0.8 A Max per 6 inches
Normal Operating Temperature	0 - 60°C		
Weight (g)	Varies by weight		
Standard Cable Information	Up to 2 meters (80") long - 105°C rated PVC jacket, foil shield with drain.		
Photobiological Risk Factor IEC 62471	Group 1 (Low-Risk) Applicable Wavelengths: WHI		
Compliance			
IP Rating	Sealed ¹ - IP60 Unsealed - IP50		
Lumen Maintenance	L70 = 50,000 hours		

¹ Sealed for dust only

BL168 Expandable Series

Mechanical Specifications



Part #	Length in mm (inches)
BL16806	152 (6)
BL16812	305 (12)
BL16818	457 (18)
BL16824	610 (24)
BL16830	762 (30)
BL16836	914 (36)
BL16842	1067 (42)

6" Increments up to a max of 90"

DIMENSIONS ARE IN MILLIMETERS (INCHES)

Part Number Key

Model	Lighted Length	—	Spectral Wavelength	Connector/Control
BL168	XX	—	XXX	XX
BL168	06" increments up to 90"		(white) WHI	C1 IC 24v
Ex: BL16806-WHIC1 BL16824-WHIIC				

Stock Product: *shipped next day*
None

Build to Order: *shipped within two weeks*

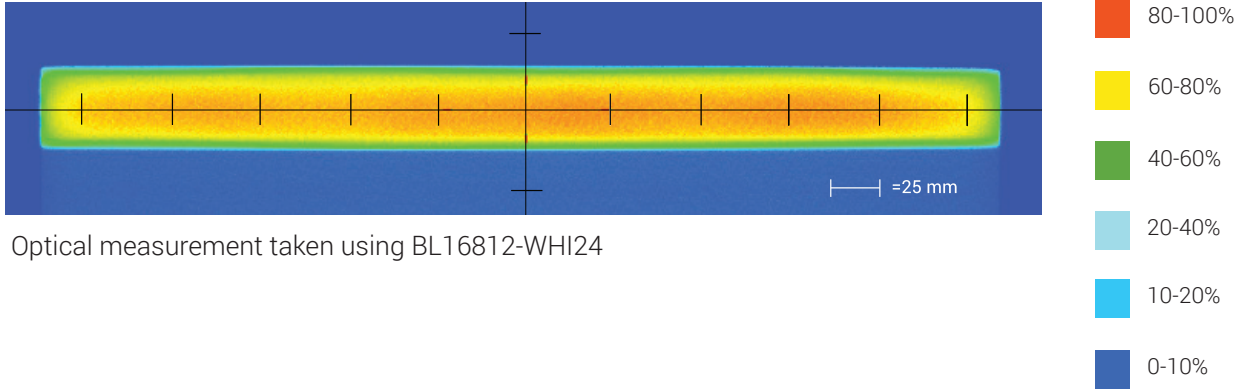
Connector | Control Options

C1 Connector	IC	24
For use with: DCS Series Controllers	Please see page 4 for IC information	Flying/tinned leads Powered with: 24V power supply

BL168 Expandable Series

Optical Performance

Intensity Distribution



Area of Illuminance & Intensity

Working Area (FWHM)
@ Working Distance

Light Output

300 X 20.3 (mm)
@surface



Irradiance (kW/M²): Min 1.36; Typ 1.6
Illuminance (kLux): Min 459 ; Typ 540

Operation and Wiring

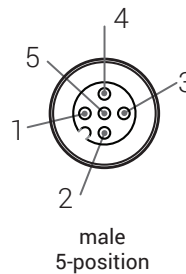
ICS 2 (IC)

Pin (M12)	Function	Wire Color
1	+24 VDC	Brown
2	GHI	White
3	GND	Blue
4	GLO	Black
5	N/A	N/A

24 Volt

Pin (M12)	Function	Wire Color
1	+24 VDC	Brown
2	N/A	White
3	GND	Blue
4	N/A	Black

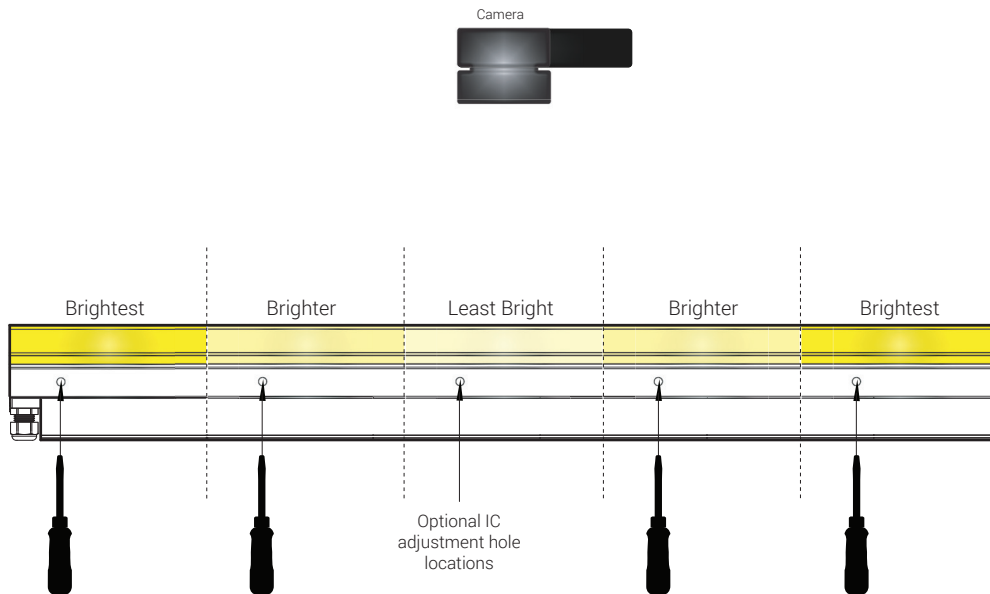
Optional M12 Pinout



BL168 Expandable Series

IC Control

The IC option allows for control of intensity on each 6" (152mm) section of BL138, BL168, LL137 and LL167 only. Fig. 1 shows 5 segments of 6" (152mm) BL138 with IC adjustment holes.



(fig. 1)

Controlling each 6" (152mm) section independently and making the center of the line less bright and the outside of the immediate camera viewing radius brighter ultimately results in better imaging.

Better imaging occurs because the camera can see very well in it's area of focus, but outside that area the camera doesn't focus as well without brighter illumination.

Ai recommends using IC adjustment holes for aforementioned lights over 24" (610mm) long.

All other lighting products that have an IC option have the IC control located on the cable. (see fig. 2)



Standard IC control on all other lighting products (built into cable)

(fig. 2)

BL168 Expandable Series

Warranty Information

Every Advanced illumination, Inc. (Ai) product is thoroughly inspected and tested before leaving the factory. Products are warranted to be free of defects in workmanship and materials for a period of two years from the original date of purchase. Should a defect develop during this period, please contact Ai Customer Service or your Ai distributor for a Return Merchandise Authorization (RMA), and return the complete product, freight prepaid, to Ai. If a defect is found, Ai will - at our discretion - repair or replace the product without charge. Ai claims no liability for any implied warranties, including "merchantability" and "fitness for a specific purpose."

Electromagnetic Compatibility

This product was tested and complies with the regulatory requirements and limits for electromagnetic compatibility (EMC) as stated in the product specifications. These requirements and limits are designed to provide reasonable protection against harmful interference only when the product is operated in its intended industrial electromagnetic environment. To minimize the potential for electromagnetic interference or unacceptable performance degradation, install and use this product in strict accordance with the instructions in the product documentation.

Customer Service

For information on existing orders, or to make an order adjustment, contact us Monday through Friday 8:00 am to 5:00 pm, EST or send an email to orders@advill.com.

Company Information

Advanced Illumination

440 State Garage Road, Rochester VT. 05767

Phone: 802.767.3830

Fax: 802.767.3831

Email: info@advancedillumination.com

Web: advancedillumination.com

© 2015 Advanced Illumination Inc. All rights reserved