

❖ **TM-1325CL/TMC-1325CL** Progressive Scan CCD



- *2/3" high resolution progressive scan IT CCD imager (ICX285AL/ICX285AQ)*
- *1392(H) x 1040(V) @ 30/15 fps*
- *6.45 μ m square pixels*
- *Compact 44 x 44 x 63 mm housing*
- *LVDS versions: order TM-1325 and TMC-1325*
- *Digital output and analog output*
- *Maximum dynamic range control with built-in look-up table (LUT)*
- *Full frame integration for long exposures*
- *Image center partial scan (500, 250 lines)*
- *Full-frame shutter to 1/16,000 sec.*
- *Asynchronous reset, no-delay shutter with pulse-width exposure control*
- *Read-out-inhibit control for multiple-camera applications*
- *RS-232 external control*
- *Near IR sensitivity and high gain CCD output*
- *Monochrome or color*



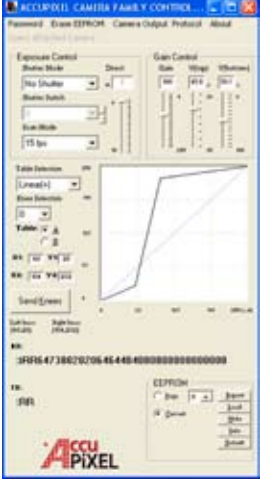
Specifications for TM-1325CL/TMC-1325CL

Specifications		TM-1325CL/TMC-1325CL
Sensor		2/3" progressive scan interline transfer CCD
Active area		8.7mm x 6.9mm
Active pixels		1392 (H) x 1040 (V)
Cell size		6.45 μm x 6.45 μm
Readout modes		1392 (H) x 1040 (V) @ 30/15 Hz (full image) 1392 (H) x 500 (V) @ 58 Hz (partial scan) 1392 (H) x 250 (V) @ 100 Hz (partial scan)
Synchronization		Internal/External auto switch HD/VD, 4.0 Vp-p impedance 4.7K Ω VD = 15/30 Hz ± 2%, non-interlace HD = 15.99 / 31.98 kHz ± 2%
Pixel clock		55.00/27.50 MHz
S/N ratio		>50 dB
Sensitivity	Mono Color	0.5 lux f=1.4 (no shutter) @ 30 fps, 4.0 lux f=1.4 (no shutter) @ 30 fps
Video output	Analog Digital	714 mV, 75 Ω (900 mV white clip) Camera Link (Base configuration)
Color (RMC/TMC-1325 only)		Raw Bayer output for host-based interpolation
Gamma		Programmable LUT (1.0 std)
Lens mount		C-mount (use >2/3" format lenses)
Power		12V DC ± 10%, 430 mA (typical at 25° C)
Operating temperature		-10° C to 50° C
Vibration		7 Grms (10 Hz to 2000 Hz) Random
Shock		70 G, 11 ms, half-sine
Dimensions (H x W x L)		44.5 mm x 44.5 mm x 63 mm
Weight		140 g (without tripod)

GUI Interface

A user-friendly GUI (graphical user interface) is provided. This interface allows users to control the following functions of the TM-1325CL camera:

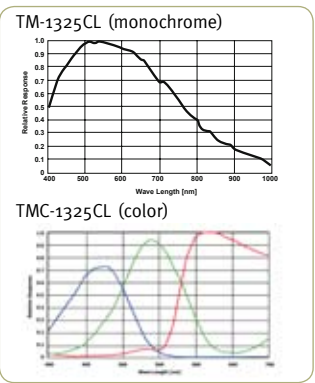
- Shutter control for manual async. and pulse-width control
- Gain control
- Offset control
- Save settings
- Load settings
- Report settings
- LUT setting and graphic display
- Scanning mode selection and Option selections
- Channel auto balancing



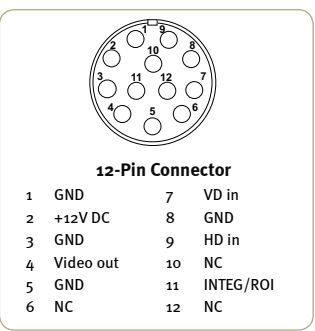
Camera parameters can be uploaded from the PC to the camera. Once these parameters are stored in EEPROMs, an instantaneous change from one setting to another can be done with a delay of few frames in between.

Software available for download at www.jai.com

Spectral Response



Connector Pin-out



Shutter Speed

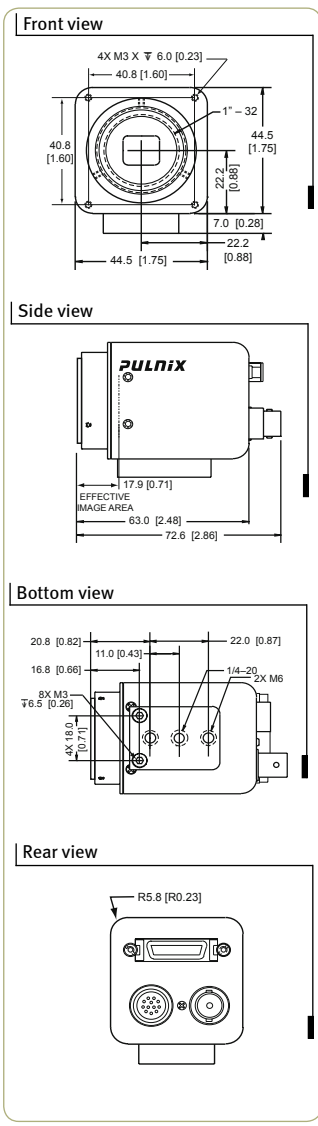
	Manual	Async
0	no shutter (1/30)	no shutter (1/30)
1	1/60	1/16,000
2	1/125	1/8,000
3	1/250	1/4,000
4	1/500	1/2,000
5	1/1,000	1/1,000
6	1/2,000	1/500
7	1/4,000	1/250
8	1/8,000	1/125
9	1/16,000	pulse width control

(For 15 fps mode, the shutter speed doubles)

Ordering Information

Camera	
Lead Processing	TM-1325CL (mono), TMC-1325CL (color)
RoHS Compliant	RM-1325CL (mono), RMC-1325CL (color)
Optional Functions	
Internal IR Filter Added	OP3-1
Optical Filter Removal	OP3-2
Strobe Output	OP8o
10-Bit Output	OP93-1
Optional Accessories (must be ordered separately)	
I/O	26CL-02-26 digital output cable
Power Cable	12P-02S
Power Supply	PD-12UUP (includes power connector)

Dimensions



Europe, Middle East & Africa
Phone +45 4457 8888
Fax +45 4491 8880

Asia Pacific
Phone +81 45 440 0154
Fax +81 45 440 0166

Americas
Phone (Toll-Free) 1 800 445 5444
Phone +1 408 383 0300

Visit our web site on www.jai.com



See the possibilities

Company and product names mentioned in this datasheet are trademarks or registered trademarks of their respective owners. IAI-A-S cannot be held responsible for any technical or typographical errors and reserves the right to make changes to products and documentation without prior notification. 10428 Rev A.03.21.2007