

Analog ExpressCard/34 for Laptops

VCE-ANEX03



*Video acquisition from a single NTSC, PAL, SECAM or RS170 camera
Can switch between two S-Video or composite inputs
Auto NTSC / PAL format detection and automatic gain control are included*

Features

- ExpressCard/34 compliant providing 2.5 Gbps of bandwidth
- NTSC, PAL, RS170, or SECAM real time video acquisition
- Saves 16 bit YCrCb 4:2:2, 4:4:4 or RGB24 data
- Intelligent scatter/gather DMA for fast, efficient use of ExpressCard bandwidth and system memory
- Flow-through pipeline architecture for low latency
- Supports external trigger input (TTL)
- Dynamic buffer allocation
- Selectable window sizes
- Adjustable RGB brightness and auto white balance programmable
- RGB look up tables and gamma correction
- Captures single, multiple frames or AVI clips
- Normal or delay capture
- RAW, BMP, TIFF or adjustable JPEG file format
- Plug-and-play with hot insertion and removal
- Image viewer with DVR controls
- Many advanced features including histograms, RGB gain/offset with auto-white balance, hex pixel dump, look up tables, gamma correction, etc.

Software

Application program: Full featured, intuitive, easy to use GUI
Drivers: Win XP/2000/Vista/7/8, DirectX, Halcon, LabVIEW, Matlab
SDK: C/C++, COM, .NET, ActiveX - all with sample source code

Video Source

2 Composite or S-Video inputs
NTSC, PAL (B, D, G, H, I, M, N), RS170 and SECAM
Auto NTSC/PAL format detection
Automatic gain control

Power

3.3V DC +/-5%, 500 mA steady
1.65W constant power

Environmental

Operating temperature: 0°C to 65°C
Relative humidity: 90% non-condensing

MTBF

>330,000 hours @ 50°C

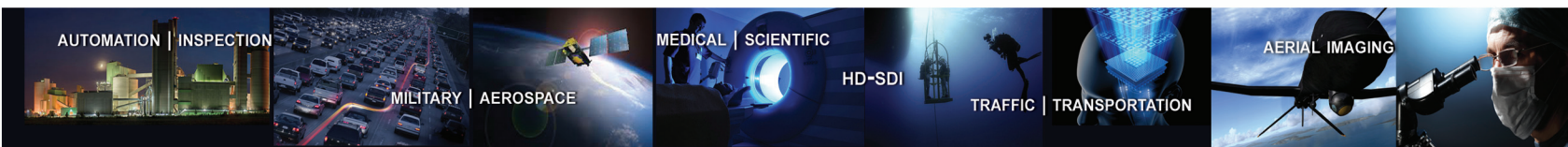
Regulatory

FCC part 15, Class B, CE, RoHS

Mechanical

ExpressCard/34 form factor
4.28 x 1.3 x 0.7" (108 x 34 x 18mm)
Weight 1.27 oz, 35.9g

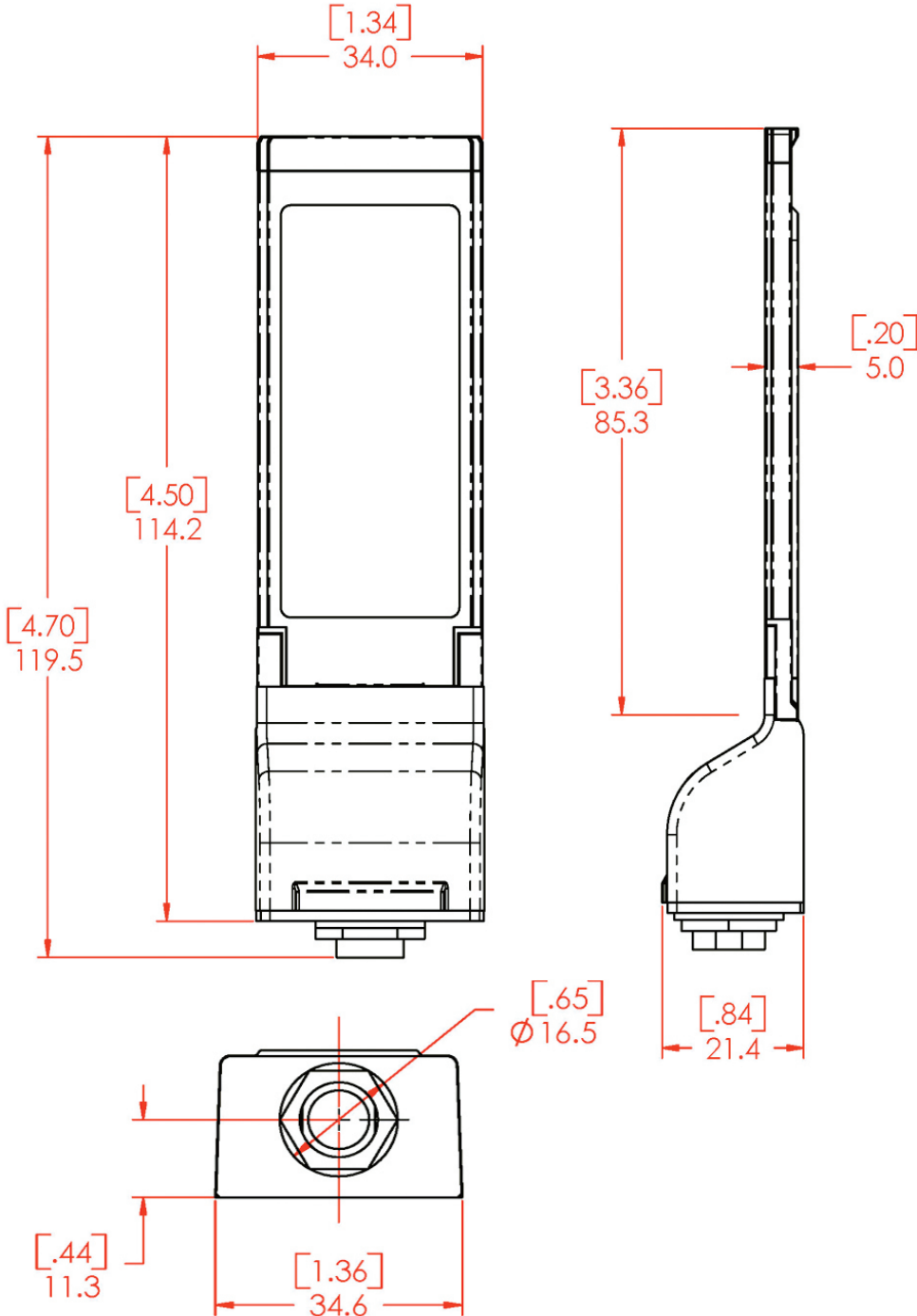
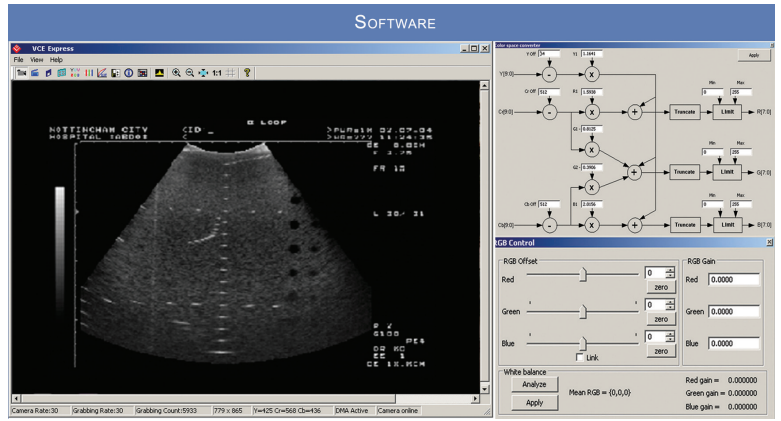
IMPERX VCE ExpressCard/34 is a state of the art video capture card that allows users to view and store in real time images from any standard analog video source onto laptop computers. The VCE Express/34 is capable of capturing single or multiple frames, and standard AVI clips from NTSC, PAL, RS170 or SECAM compliant video sources. An external triggering option allows users to qualify image capture based on external events. Each captured frame can be stamped with a user message along with the date and time of capture. A specially designed image viewer provides the flexibility to view, scroll or step through the recorded images. IMPERX VCE Express/34 features a flow-through pipelined architecture with an intelligent scatter/gather DMA engine providing over 235 Mbytes per second of throughput. A full software suite, including drivers, an application program and SDK, is provided with the card.





Order: VCE-ANEX03

For specific details and ordering information, consult the VCE Express user's manual or contact IMPERX at sales@imperx.com.



VCE-ANEX03, Rev 2