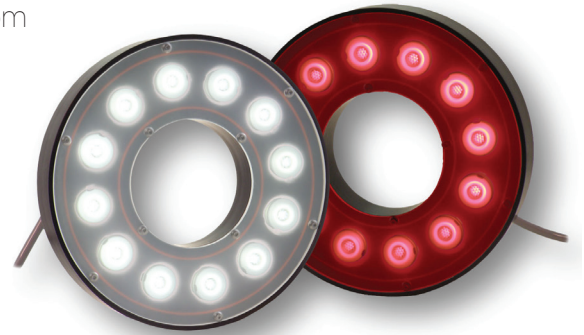


Product Highlights

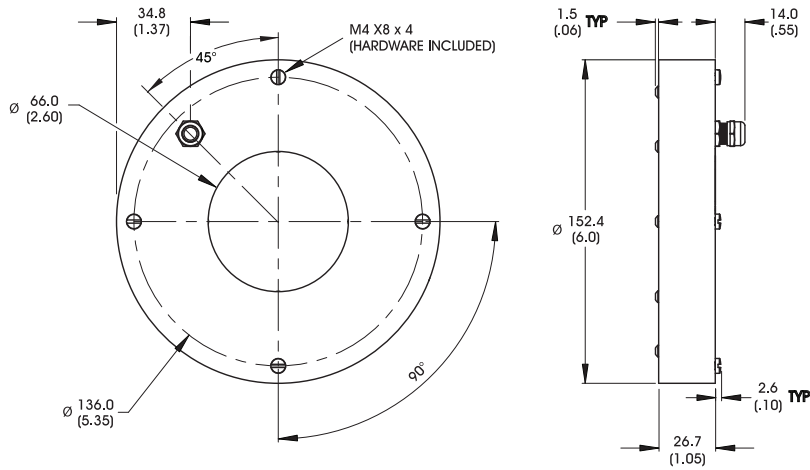
- High intensity from a long working distance - 24,000 lux from 305mm (12")
- IP67 compliant design



General Specifications

| Electrical Specifications | Color | 24v Current | All Other Controls |
|--|--|-------------|--------------------|
| | 850 | 0.70 A | 0.26 A Max |
| | 590, 625 | 0.70 A | 0.61 A Max |
| | 470, 530, WHI | 0.16 A | 0.08 A Max |
| Normal Operating Temperature | 0 - 60°C | | |
| Weight (g) | 680.4 g (1.5 lb) | | |
| Standard Cable Information | Up to 2 meters (80") long - 105°C rated PVC jacket, foil shield with drain. | | |
| Photobiological Risk Factor IEC 62471 | Exempt Applicable Wavelengths: 850 Group 1 (Low-Risk) Applicable Wavelengths: 470, 530, 590, 625, WHI | | |
| Compliance |  | | |
| IP Rating | IP67 | | |
| Lumen Maintenance | L70 = 50,000 hours | | |

Mechanical Specifications



DIMENSIONS ARE IN MILLIMETERS (INCHES)

Part Number Key

| Model | — | Spectral Wavelength | Connector/ Control | — | Alternative Connector |
|--|----------|---|---|----------|-----------------------|
| RL113 | — | XXX | XX | — | XXX |
| RL113 | | (blue) 470 (green) 530 (amber) 590 ² (red) 625 ² (infra-red) 880 (white) WHI | C1 C2 C5 IC I3 I3S 24v | | M12 ¹ |
| Ex: RL113-470C5 RL113-625I3-M12 | | | ¹ Available with IC, I3, I3S and 24v options only ² 24v option not available | | |

Stock Product: *shipped next day*
RL113-WHIIC

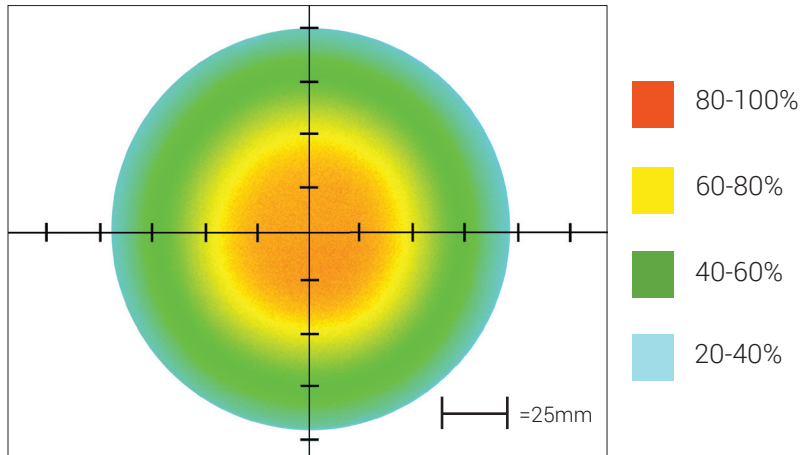
Build to Order: *shipped within two weeks*

Connector | Control Options

| C1 Connector | C2 Connector | C5 Connector | IC | I3 | I3S | 24 |
|--|--|---|---|---|---|--|
| For use with: DCS Series Controllers | For use with: Legacy Controllers (Not recommended for new applications) | For use with: Pulsar 320 Strobe Controller. | Continuous in-line controller Powered with: 24V power supply | Combination strobe/continuous in-line controller Powered with: 24V power supply | Default-OFF strobe/continuous in-line controller Powered with: 24V power supply | Flying/tinned leads Powered with: 24V power supply |

Optical Performance

Intensity Distribution

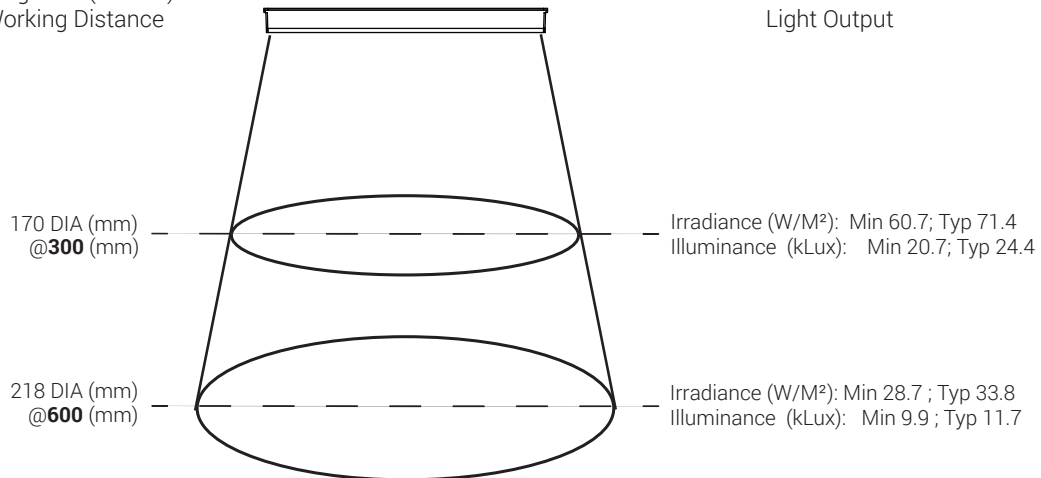


Optical measurement taken using RL113-WHIIC @ 300 mm

Area of Illuminance & Intensity

Working Area (FWHM)
@ Working Distance

Light Output



Operation and Wiring

ICS 2 (IC)

| Pin (M12) | Function | Wire Color |
|-----------|----------|------------|
| 1 | +24 VDC | Brown |
| 2 | GHI | White |
| 3 | GND | Blue |
| 4 | GLO | Black |

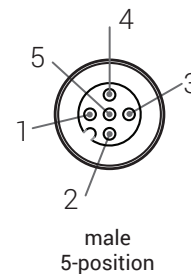
ICS 3 (I3 and I3S)

| Pin (M12) | Function | Wire Color |
|-----------|-------------------------|------------|
| 1 | +24 VDC | Brown |
| 2 | Reserved | White |
| 3 | GND | Blue |
| 4 | PNP/Active High Trigger | Black |
| 5 | 0-10 VDC Analog Control | Gray |

24 Volt

| Pin (M12) | Function | Wire Color |
|-----------|----------|------------|
| 1 | +24 VDC | Brown |
| 2 | N/A | White |
| 3 | GND | Blue |
| 4 | N/A | Black |

Optional M12 Pinout



Warranty Information

Every Advanced illumination, Inc. (Ai) product is thoroughly inspected and tested before leaving the factory. Products are warranted to be free of defects in workmanship and materials for a period of two years from the original date of purchase. Should a defect develop during this period, please contact Ai Customer Service or your Ai distributor for a Return Merchandise Authorization (RMA), and return the complete product, freight prepaid, to Ai. If a defect is found, Ai will - at our discretion - repair or replace the product without charge. Ai claims no liability for any implied warranties, including "merchantability" and "fitness for a specific purpose."

Electromagnetic Compatibility

This product was tested and complies with the regulatory requirements and limits for electromagnetic compatibility (EMC) as stated in the product specifications. These requirements and limits are designed to provide reasonable protection against harmful interference only when the product is operated in its intended industrial electromagnetic environment. To minimize the potential for electromagnetic interference or unacceptable performance degradation, install and use this product in strict accordance with the instructions in the product documentation.

Customer Service

For information on existing orders, or to make an order adjustment, contact us Monday through Friday 8:00 am to 5:00 pm, EST or send an email to orders@advill.com.

Company Information

Advanced Illumination

440 State Garage Road, Rochester VT. 05767

Phone: 802.767.3830

Fax: 802.767.3831

Email: info@advancedillumination.com

Web: advancedillumination.com

© 2015 Advanced Illumination Inc. All rights reserved