

CS420

Dual Output Intensity Controller

(with Digital Interface)



- Aii)** User interface provides three-button/three digit display. (RS232 programmable as well.)
- Aii)** Provides independent intensity control for two light outputs.

Ordering Information

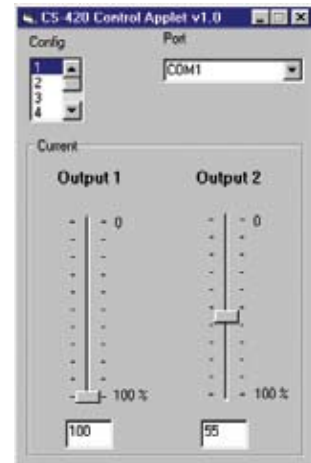
Standard Product:
Shipped Next Day

CS420

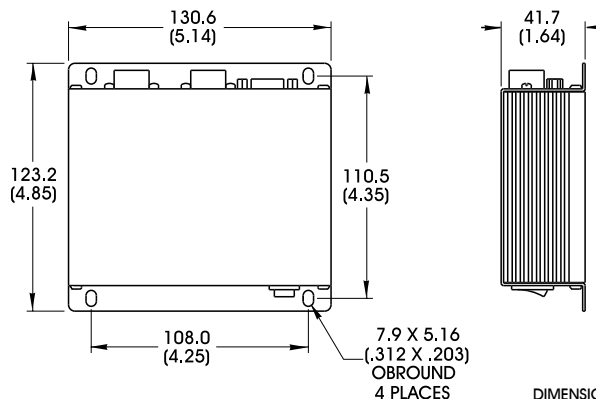
P/N: CS420

CS420 Control Applet

The CS420 Control Applet enables the user to program the intensity levels of up to two lights connected to a CS420 dual output intensity controller. Intensity is expressed as a percentage between 0 and 100 percent, where 0 percent represents minimum intensity and 100 percent maximum intensity. Maximum intensity is calculated based on the SignaTech signature of the light and various controller operating parameters.



Dimensional Information



Included in the package:

RS232 Cable
Software CD
Instruction Manual

Requires 24V DC Regulated Power Supply (not included)

Additional Information

Power Requirements:
1Amp @ 24vDC

Optional Power Supply:
Shipped Next Day

P/N: PS-24

Standard Product Information

Operating Temperature: 0-55° C



Meets CE standards