

## CS410 Dual Output Intensity Controller



- 4i) Provides independent intensity control for two light outputs.
- 4i) Features industrialized power input terminal block as well as conventional DC jack.

### Ordering Information

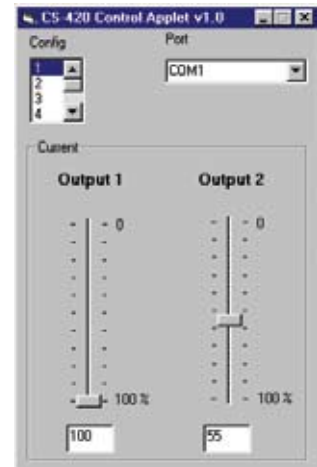
Standard Product:  
Shipped Next Day

**CS410**

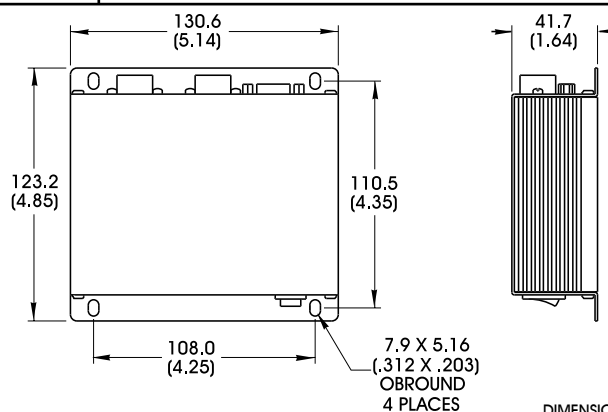
P/N: CS410

### CS410 Control Applet

The CS410 Control Applet enables the user to program the intensity levels of up to two lights connected to a CS410 dual output intensity controller. Intensity is expressed as a percentage between 0 and 100 percent, where 0 percent represents minimum intensity and 100 percent maximum intensity. Maximum intensity is calculated based on the SignaTech signature of the light and various controller operating parameters.



### Dimensional Information



Included in the package:

RS232 Cable  
Software CD  
Instruction Manual

Requires 24V DC Regulated  
Power Supply (not included)

### Additional Information

Power Requirements:  
1Amp @ 24vDC

Optional Power Supply:  
Shipped Next Day

P/N: PS-24

### Standard Product Information

Operating Temperature: 0-55° C



Meets CE standards