

LL2912

3" Line Light



Aii Ideally suited for use with line-scan applications.

Aii 75mm of intense illumination.

Ordering Information

Standard Product:
Shipped Next Day

Standard Product Variation:
Shipped Within Two Weeks

LL2912

P/N: LL2912A-WHI
Configured for use with Ai
Power Supply

LL2912	Lens Type	Spectral wavelength	Optional power Compatibility	Alternative Connector
	X	-	XXX	XX
	A	(UV) 395 [◇]	IS	M12* (male)
	B	(blue) 470 †	C2	
	D	(green) 520 †	C3	
	E	(yellow) 590	12	
		(orange) 625	24	
		(red) 660		
		(infra-red) 880		
		(white) WHI †		

Lens & Aiming Information

	Lens Type A	Lens Type B	Lens Type D	Lens Type E
Working Distance	25mm	50mm	75mm	125mm
Line Width	6mm	9.5mm	13mm	16mm

IS = iSU (requires 24v power supply)

C2 = Ai Connector

C3 = Pulsar 710 Connector

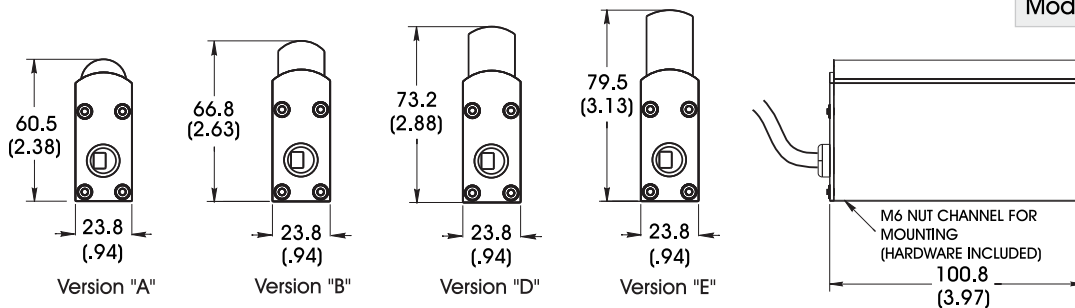
* Available with IS and 24v options only

† Not available in 12v

[◇]UV LEDs have a considerably shorter half-life than other LEDs (< 1000hrs). For this reason Ai recommends these LEDs be used in strobe mode only. For applications requiring continuous 24v power, contact Ai for assistance.

Dimensional Information

[Click for Installation Models & Drawings](#)



Cable Length: 1.5 Meter (59")

DIMENSIONS ARE IN MILLIMETERS (INCHES)

Standard Variation Current Specifications

	blue	green	yellow	orange	red	infra-red	white	
@12	N/A	N/A	60	60	90	60	N/A	mA
@24	40	40	40	40	30	30	40	mA

Standard Product Information

Product Lifetime: 10,000 hours

Operating Temperature: 0-60° C